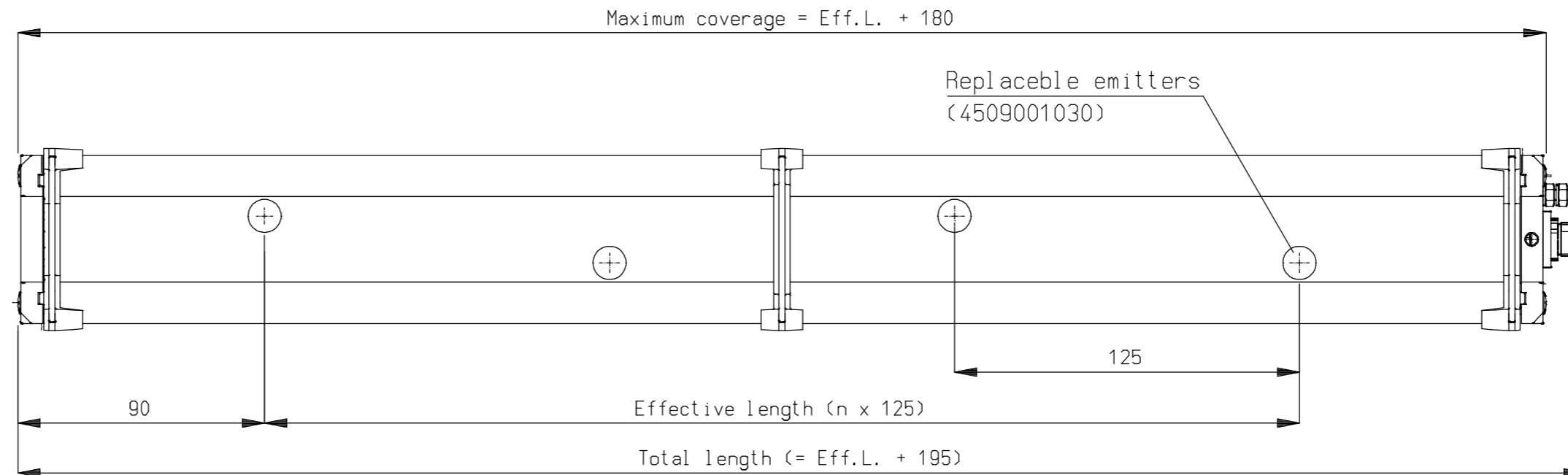
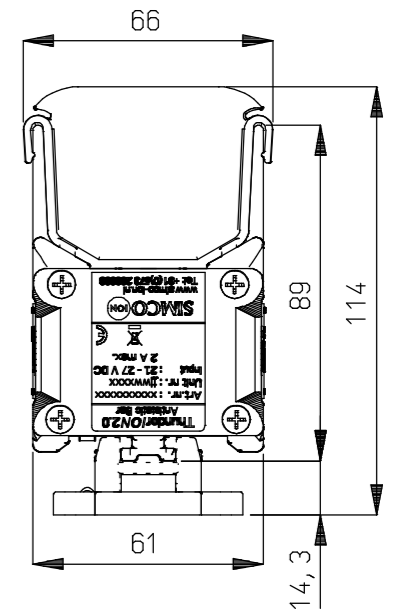
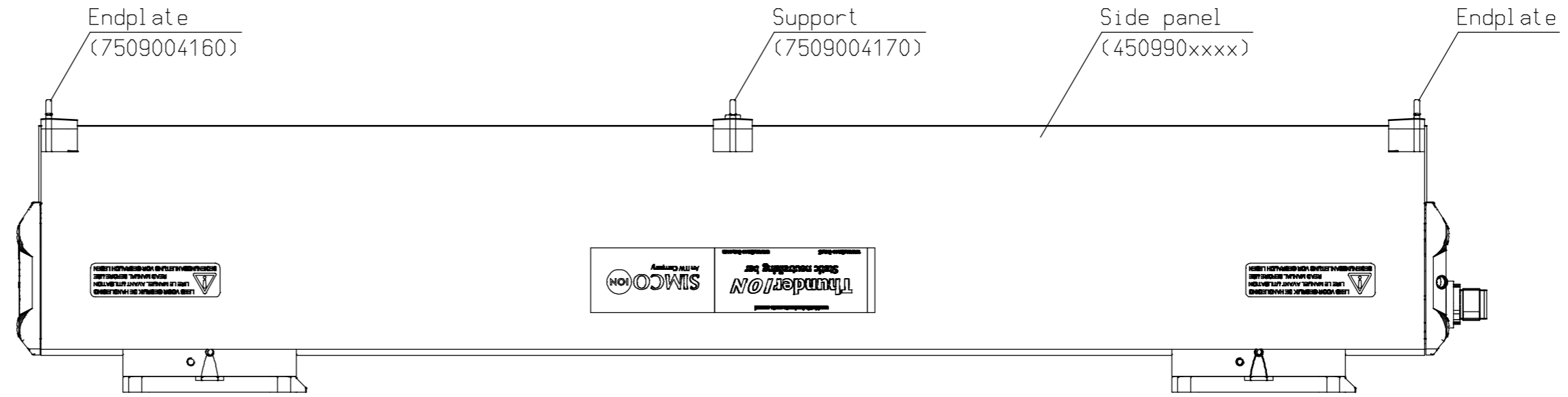
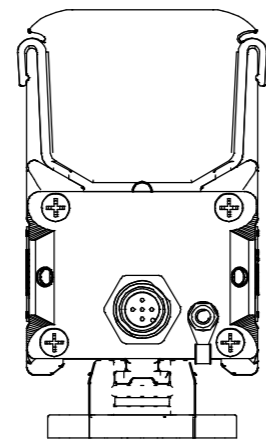
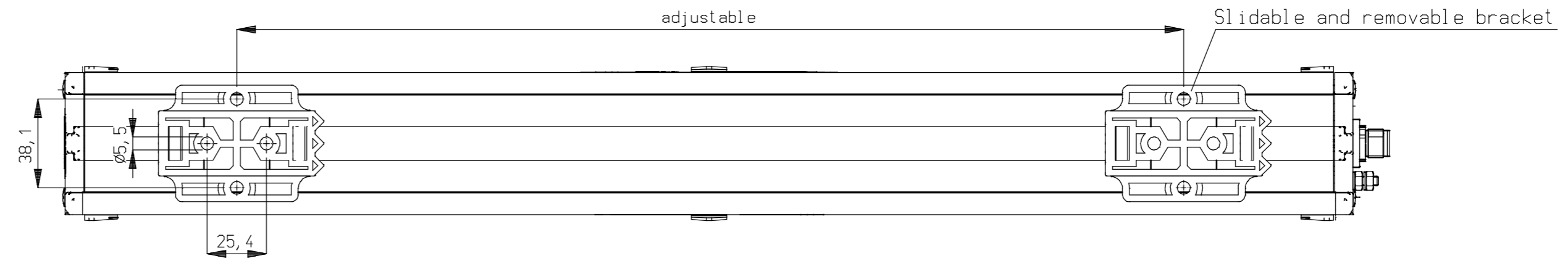
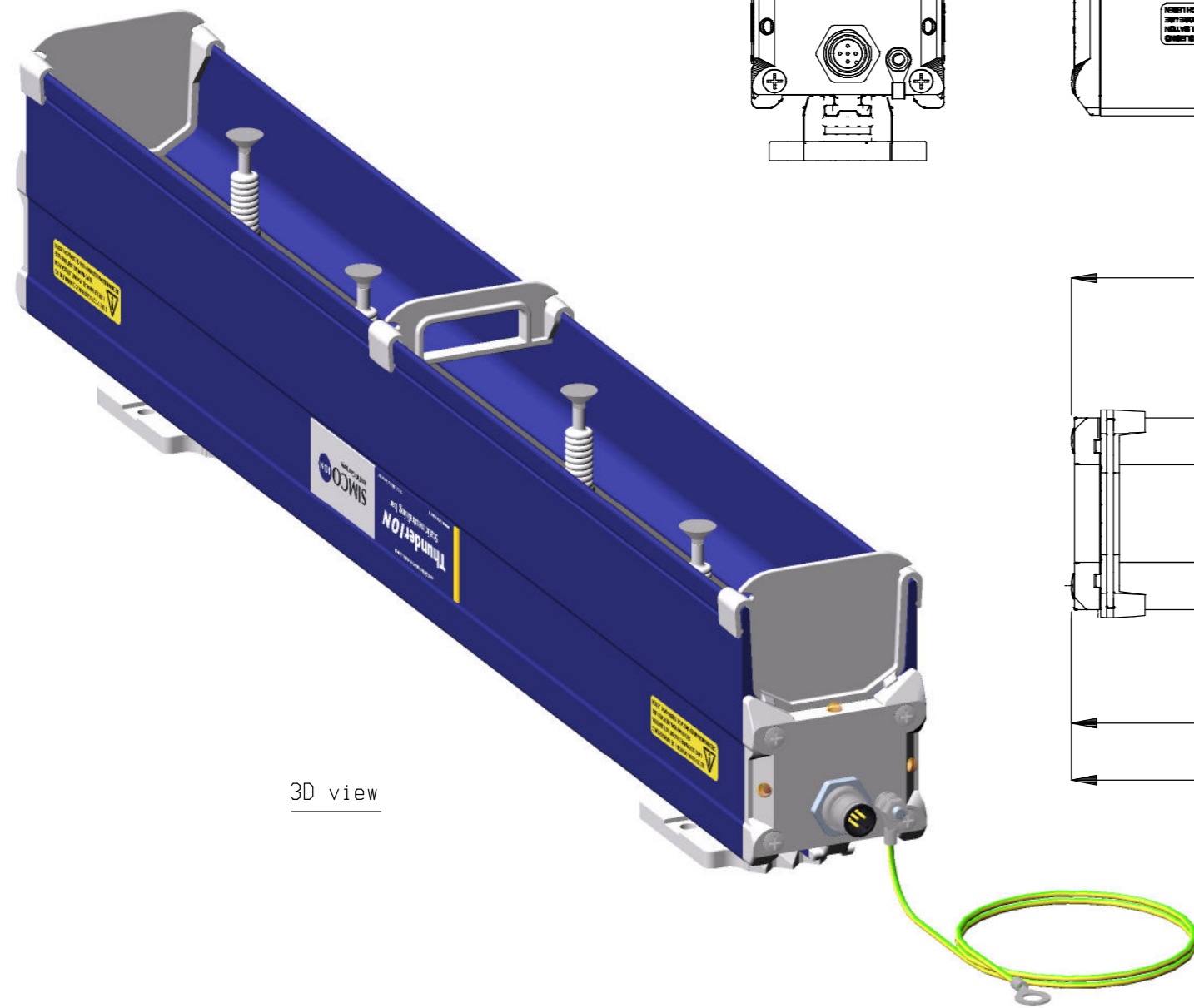
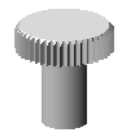


| Supports | |
|--------------|-----|
| Total length | QTY |
| 570 - 820 | 1 |
| 945 - 1195 | 2 |
| 1320 - 1570 | 3 |
| 1695 - 1945 | 4 |
| 2070 - 2320 | 5 |
| 2445 - 2695 | 6 |
| 2820 - 3070 | 7 |
| 3195 - 3445 | 8 |
| 3570 - 3820 | 9 |
| 3945 - 4195 | 10 |
| 4320 - 4570 | 11 |
| 4695 - 4945 | 12 |
| 5070 - 5320 | 13 |

| Bracket Bars | |
|--------------|-----|
| Total length | QTY |
| 570 | 2 |
| 695 - 1070 | 3 |
| 1195 - 1695 | 4 |
| 1820 - 2195 | 5 |
| 2320 - 2820 | 6 |
| 2945 - 3320 | 7 |
| 3445 - 3945 | 8 |
| 4070 - 4445 | 9 |
| 4570 - 5070 | 10 |
| 5195 - 5320 | 11 |

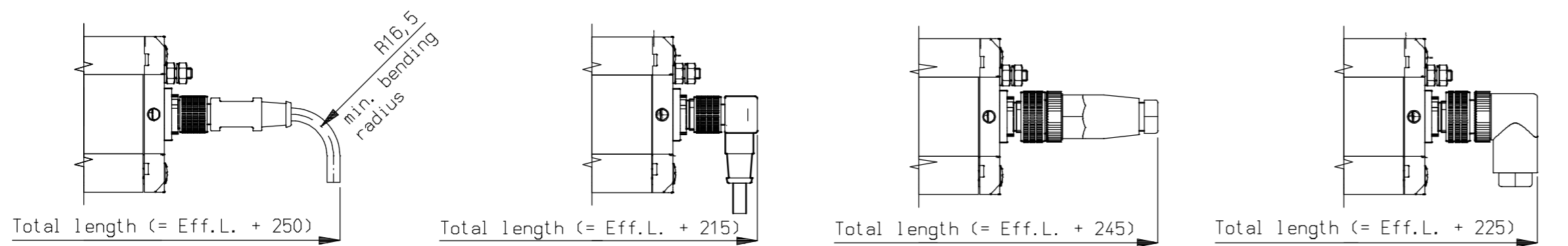


Thumb Screw M6x10 Nylon



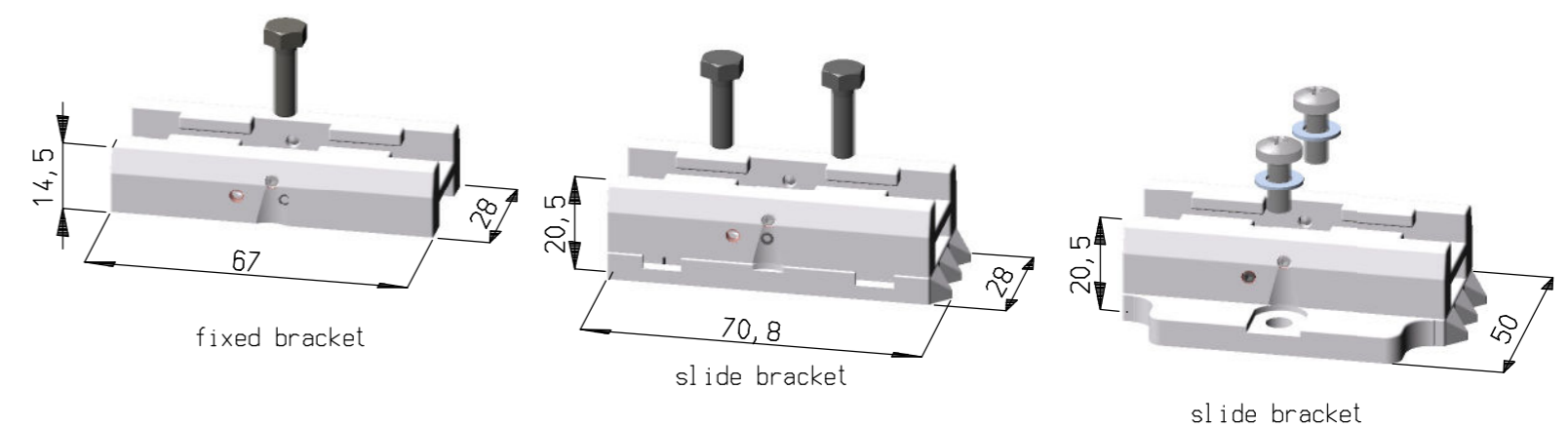
Covers for easy protection during cleaning bar if emitters are removed. (9210560635)

Optional connectors



Connector: adjustable cable direction 0°, 90°, 180°, 270°

Bracket Bars mounting options



(M5 bolts, screws and washers not included)