


Cable
(diameter outside $\varnothing 5\text{mm}$;
 $5 \times 0,34\text{mm}^2$)

Ex Certified Product
No modifications permitted without the approval of the "authorised person"

Parts separate to order:



Cable clamp 5mm
P/N: 5031485137 (set of 12 pieces)
Needed: 4 pieces/meter cable

Included Mounting brackets with mounting options

P/N: 4532000100

Brackets	
Tot. length	QTY
270 - 990	2
1050 - 1950	3
2010 - 2970	4

fixed bracket slide bracket slide bracket

Not included:
Mounting bolts or screws M5
(type depending on option)

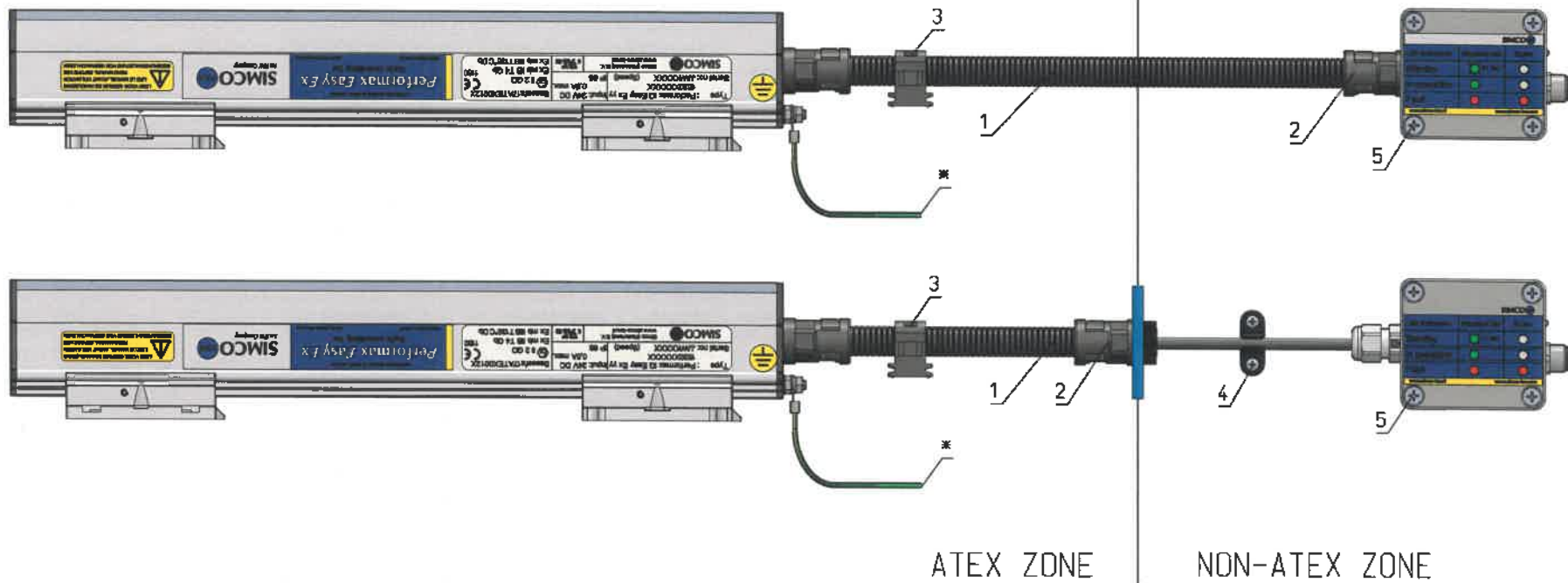
Optional Mounting brackets
Stainless steel



Thread M6x35 mm
P/N: 7524000157



T-slot
P/N: 7524000155



*: Connect earth wire (min 4 mm²) to PE (Protected earth)

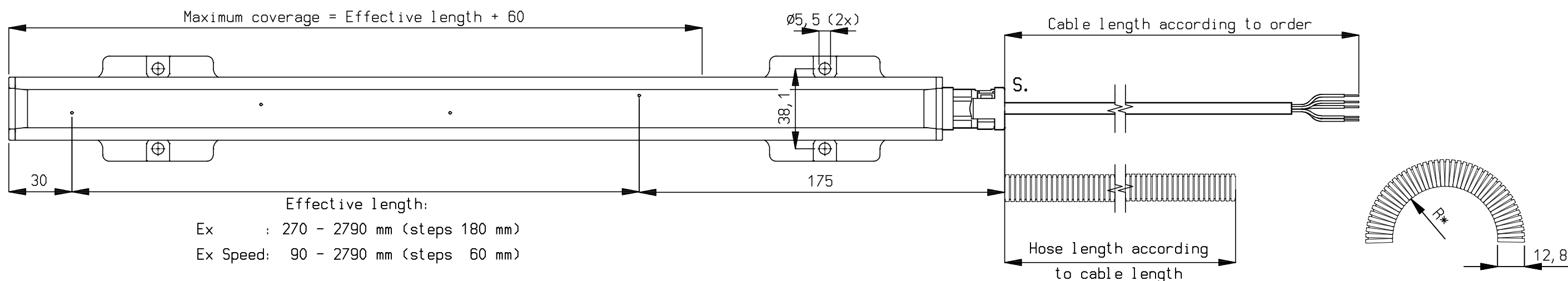
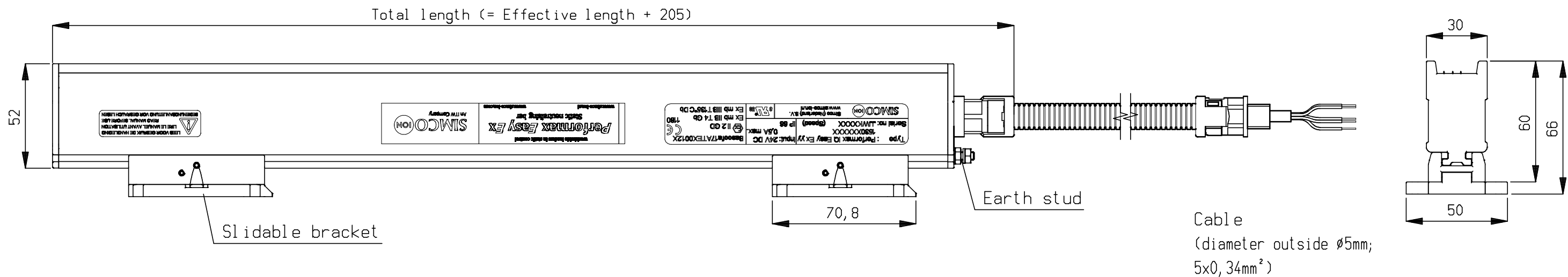
To be ordered seperately:

- 1 Protective hose ATEX
Item nr. 9380531320
- 2 Fitting ATEX with nut M12x1,5
Item nr. 5055000210
- 3 Hose clip ATEX
Item nr. 9250101013, needed 4 pieces/meter hose
- 4 Cable clamp 5 mm (set of 12 pieces)
Item nr. 5031485137, needed 4 pieces/meter cable
- 5 Status Module
Item nr. 4530000300, needed one Status Module per bar

Ex Certified Product

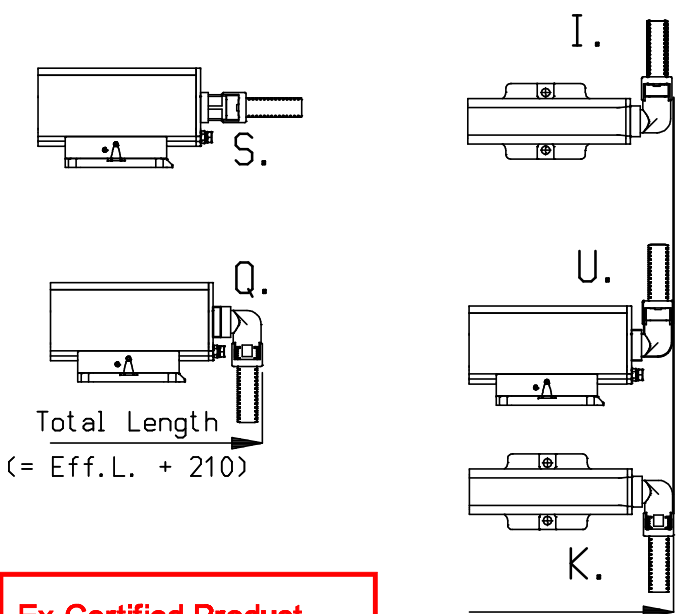
No modifications permitted without the approval of the "authorised person"

 An IYV Company	Name: Performax (IQ) Easy EX (Speed) installation overview				Drawn: RJ	Part no.: —
	CAD generated NOT updated	Dimensions in mm	Date: 28-6-2017	A3 M: 1:1	 ECN2019-10	Check:



R* min. R (fixed installation) = 25mm
min. R (flexible installation) = 65mm

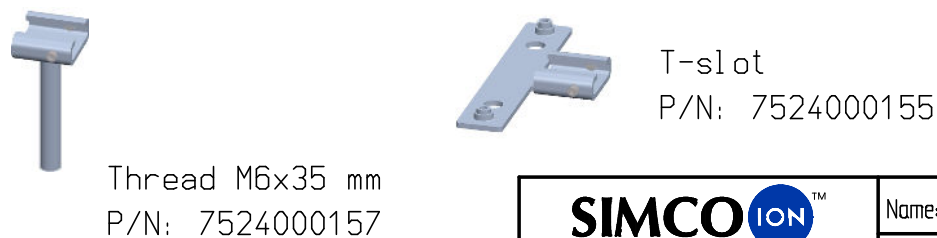
Cable exit options



Parts separate to order

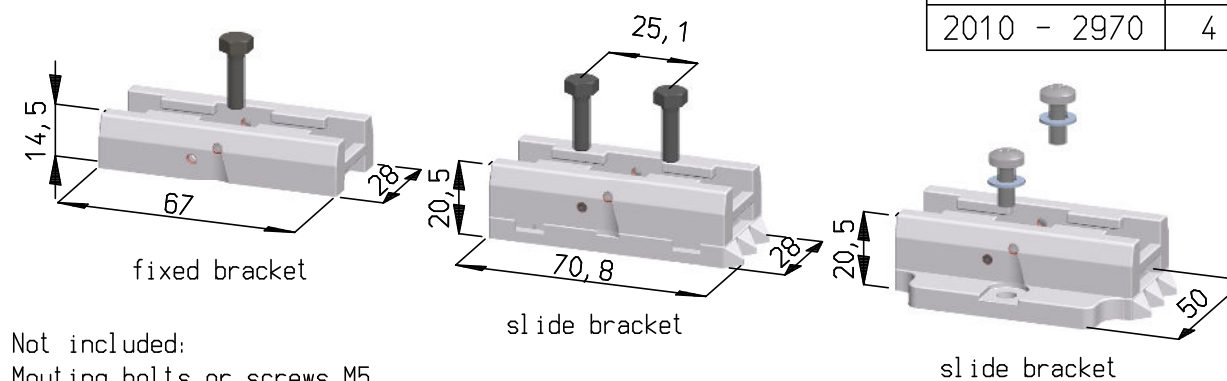


Optional Mounting brackets (Stainless steel)



Included Mounting brackets with mounting options

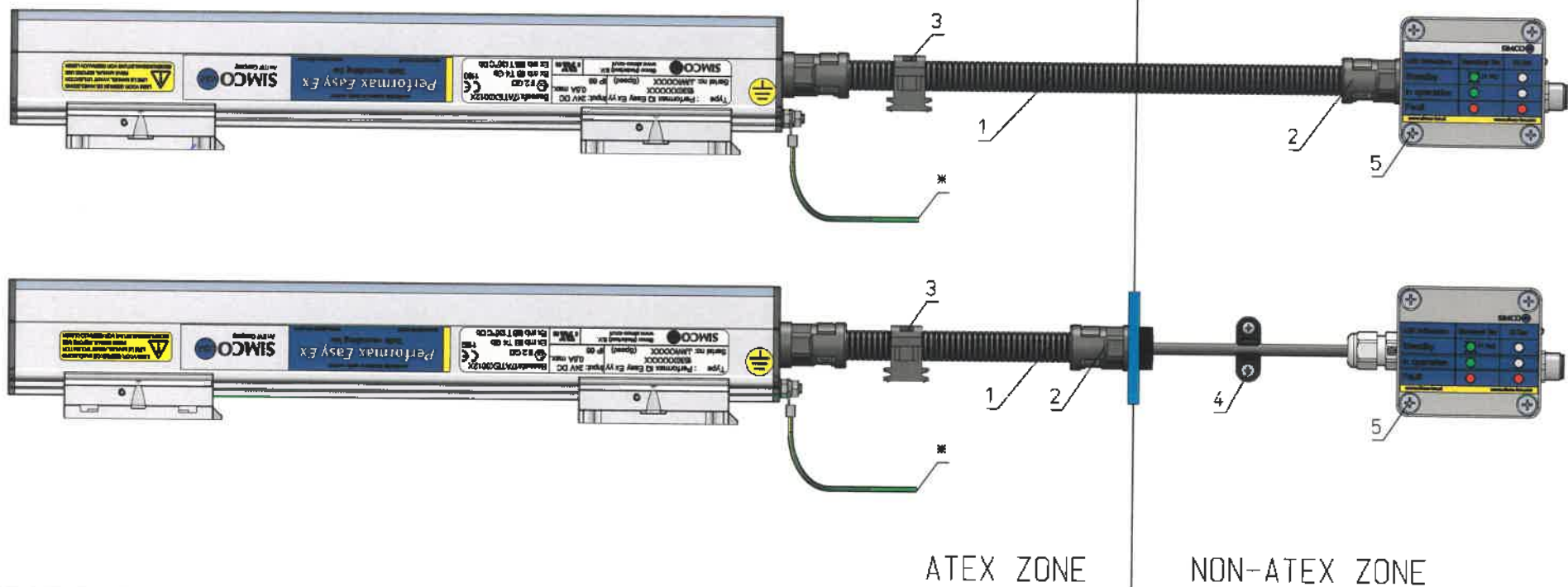
P/N: 4532000100



Brackets	
Tot. length	QTY
270 - 990	2
1050 - 1950	3
2010 - 2970	4

Not included:
Mounting bolts or screws M5
(type depending on option)

Ex Certified Product
No modifications permitted without the approval of the "authorised person"



To be ordered separately:

- 1 Protective hose ATEX
Item nr. 9380531320
- 2 Fitting ATEX with nut M12x1,5
Item nr. 5055000210
- 3 Hose clip ATEX
Item nr. 9250101013, needed 4 pieces/meter hose
- 4 Cable clamp 5 mm
Item nr. 9250101104, needed 4 pieces/meter cable
- 5 Status Module
Item nr. 4530000300, needed one Status Module per bar

*: Connect earth wire (min 4 mm²) to PE (Protected earth)

Ex Certified Product

No modifications permitted without the approval of the "authorised person"

 <small>An ITW Company</small> <small>www.simco-ion.nl Tel: +31 (0)573 288353</small>	Name: Performax (IQ) Easy EX (Speed) installation overview					Drawn: RJ	Part no.: —
	CAD generated NOT updated	Dimensions in mm	Date: 28-6-2017	A3	M: 1:1	ECN-	Check:

Manager IQ Easy
 1030000000 - 24V DC powered
 1030000010 - 100-240V AC powered

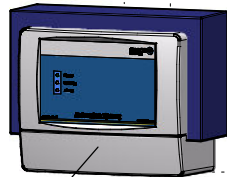
Sub-D connector
 male 25 pole
 3900236025



Power cord IEC-C13
 2 m, with lock
 9146340700

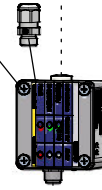
24V power connector
 for Ø4 - 6,5 mm cables
 9370000205

Extension IQ Easy
 1030000100 - 24V DC powered
 10300000110 - 100-240V AC powered



Connector IQ M12 male straight
 5 pole (screw connections)
 7519020352 - Ø4-6 mm cables
 7519020353 - Ø6-8 mm cables

Status Module
 4530000300



Cord IQ interconnection M8
 female-male straight 3 pole
 7519020291 - 5m
 7519020292 - 10m
 7519020294 - 25m

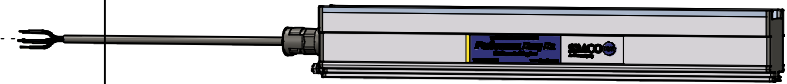
Cord device M12 female angled 5 pole
 7519020375 - 5 m, unshielded
 7519020376 - 10 m, unshielded

Cord device M12 female straight 5 pole
 7519020365 - 5 m, unshielded
 7519020366 - 10 m, unshielded

Connector device M12 female angled
 5 pole (screw connections)
 7519020355 - Ø4-6 mm cables
 7519020356 - Ø6-8 mm cables

Connector device M12 female straight
 5 pole (screw connections)
 7519020350 - Ø4-6 mm cables
 7519020351 - Ø6-8 mm cables

Cord device M12 fem.-male straight 5 pole
 7519020390 - 2m, unshielded
 7519020391 - 5m, unshielded
 7519020392 - 10m, unshielded
 7519020393 - 20m, unshielded
 7519020394 - 25m, unshielded



Protective hose ATEX
 9380531320 per m
 Hose clip ATEX
 9250101013 needed 4 pieces/m hose
 Fitting ATEX
 9370521017

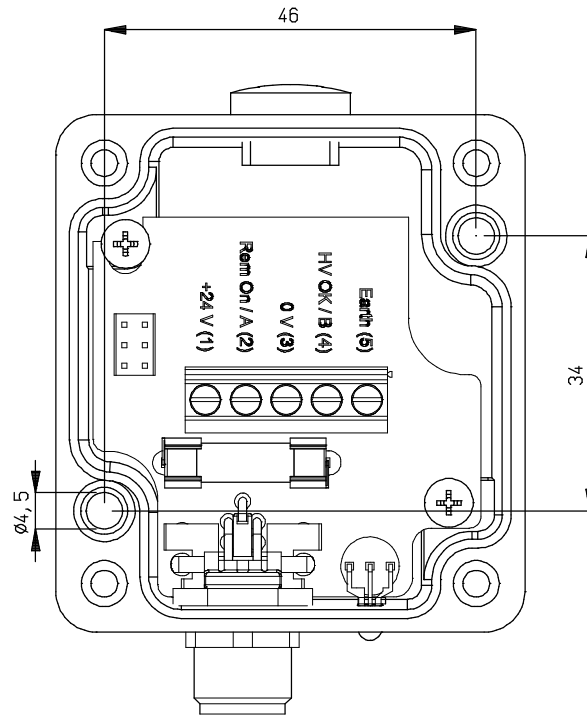
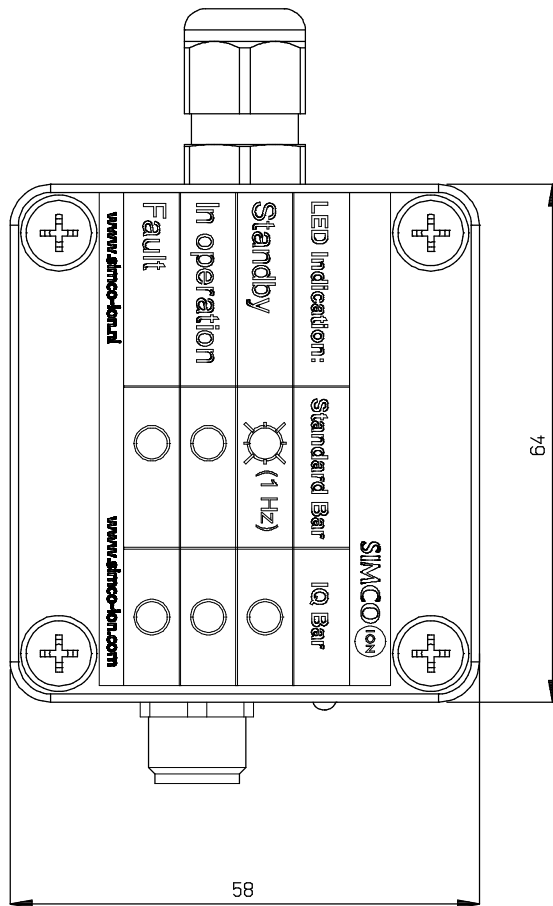
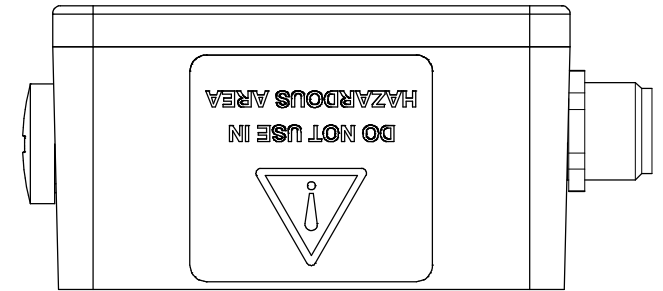
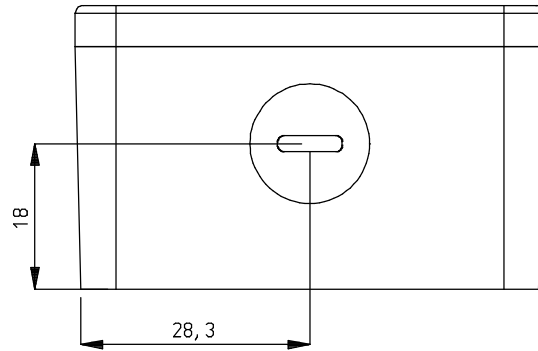
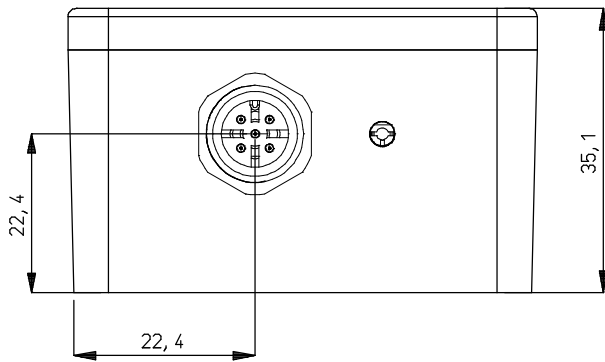
ATEX ZONE

NON-ATEX ZONE

Ex Certified Product
 No modifications permitted without the approval of the "authorised person"

Remark:

- The Status Module Performax (IQ) Easy EX has a connection for one bar



Fuse 0,5 AT with 1500 A breaking capacity included



Status LED

Included, only needed for cable without hose



Ex Certified Product
No modifications permitted without the approval of the "authorised person"

 An ITW Company	Name: Status Module Performax (IQ) Easy Ex					Drawn: RJ	Part no.: 4530000300
	CAD generated NOT updated	Dimensions in mm	Date: 23-2-2017	A3 M: 1,5:1	ECN-	Check: -	Dwg. no.: 15300300/C