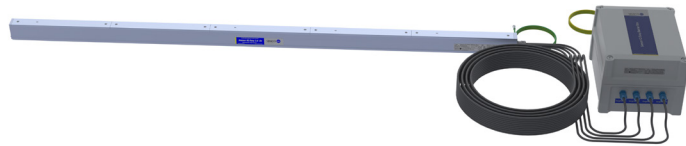




Sensor IQ Easy 2.0 EX



IECEX CSA 21.0021 X
CSA Ne 21ATEX2153X
CSAE 21UKEX2694X

Barrier Box
[Ex ib Gb] IIB



Sensor Bar
Ex ib IIB T4 Gb



A sensor that measures the electrostatic charge of a web can be added to the IQ Easy platform. The Sensor IQ Easy 2.0 EX is a bar type device that can hold up to 8 sensor segments. Each sensor segment can be placed on a strategical position across the web to monitor the electrostatic charge.

All data of each sensor head is communicated to the Manager IQ Easy and stored for process monitoring.

Warnings and alarms can set to warn operators for situations the may turn critical.

Features

- Full web width static charge monitoring
- Up to 8 sensors
- 48 possible measurement locations for measuring segment (with sensor bar 6070 mm)

Technical specifications Sensor IQ Easy 2.0 EX

Working distance	10 - 300 mm
Housing material	Aluminium
Cable	Low voltage 15 m
Connector	No connector, direct cable
Weight	2 kg/m
Ambient temperature	0-40 °C
Use circumstances	Industrial, ATEX zone
Input power	24 V DC
Measuring range	0 - 10 kV @ 10 mm 0 - 30 kV @ 20 - 50 mm 0 - 50 kV @ 100 mm
Accuracy	@ <100 mm 10% @ >100 mm 20%
Sampling rate	50 ms

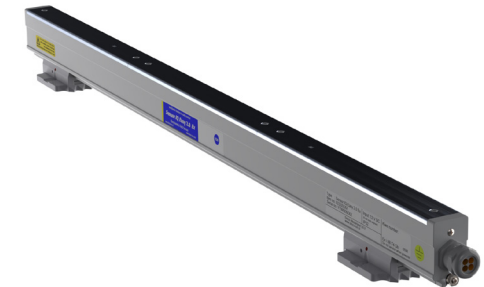
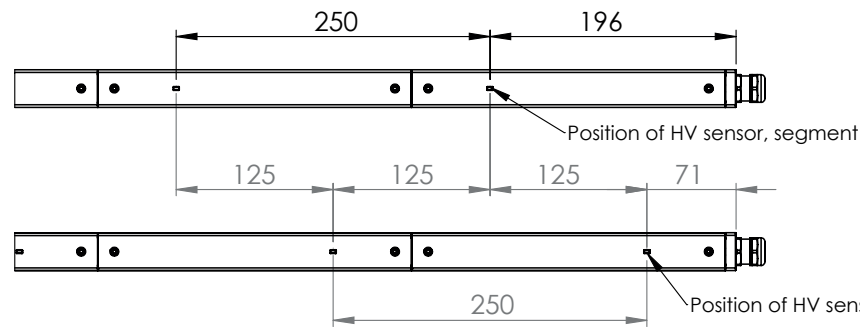
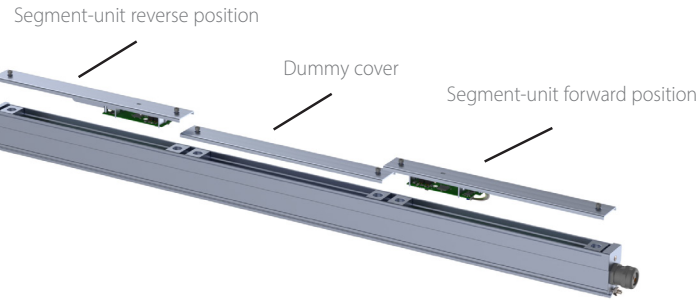
The Sensor IQ Easy 2.0 EX is a sensor bar designed and certified for use in ATEX zones. A Sensor bar can consist of up to 8 sensor segments positioned across the entire length of the sensor bar. Sensor bars can be constructed with a minimum length of 290 mm, including one sensor segment or maximum 6070 mm, including max 8 sensor segments. Sensor segments can be positioned at 24 possible locations (bays). Each sensor segment can be mirrored which results in 48 possible measurement locations. The Sensor IQ Easy 2.0 EX bar is constructed of rugged brushed aluminium making it fully conductive and resistant to environmental conditions in various processes, like coating and printing.

When you want to order the Sensor IQ Easy 2.0 EX, the desired length must be determined first. After that, you have to mark the positions where a bays including a measuring segment have to be placed (up to 8 bays are possible).

Up to 4 sensor segments connect to one Barrier box. The Barrier box is connected to the IQ Easy platform and is located outside the ATEX zone.

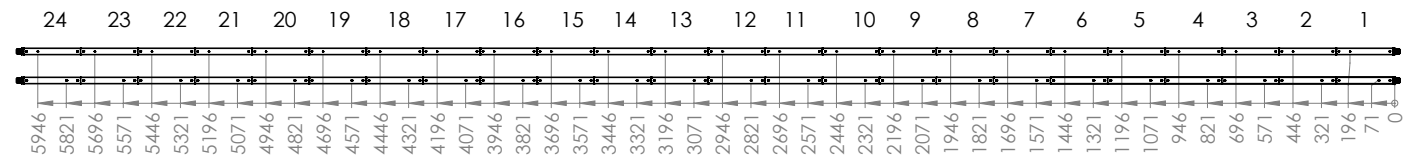
The Barrier Box can be ordered with configurations for 1, 2, 3 or 4 sensor segments.

The Barrier Box connects the the IQ Easy platform with a standard Male/Female M12 cable



Technical specifications Barrier Box

Dimensions	Width 190 mm Height 150mm Depth 240 mm
Housing material	ABS/PC
Sensor segment connections	1, 2, 3 or 4
Connector	M12
Weight	3 kg
Ambient temperature	0-40 °C
Use circumstances	Industrial, outside ATEX zone
Input power	24 V DC, via M12 connector
Indication	Multicolor LED's



Simco-Ion Netherlands

Postbus 71
Lochem, The Netherlands NL-7240 AB
Tel: +31 (0)573 288333
Fax: +31 (0)573 288380
general@simco-ion.nl
www.simco-ion.nl