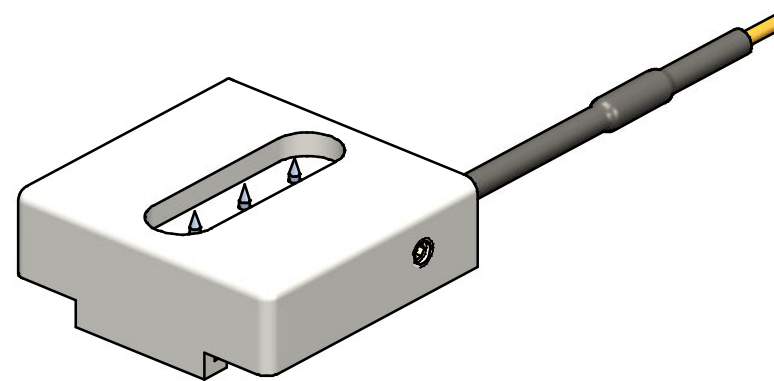
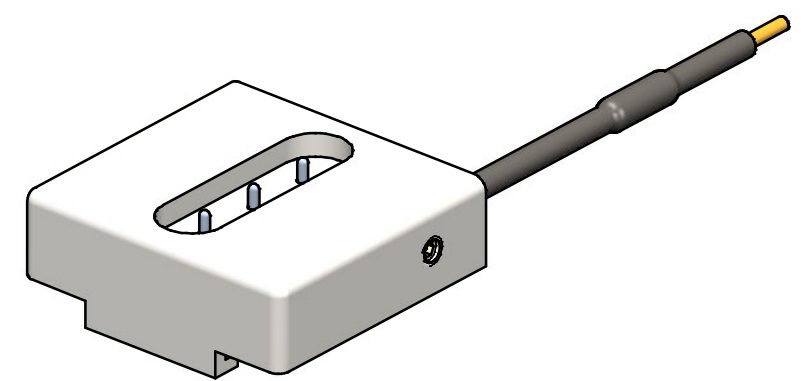


HEAD PART NUMBERS

- 3930000000, Head 4M7 with sharp electrodes
- 3930000001, Head 4M7 with rounded electrodes
- 3930000010, Head 1M with sharp electrodes
- 3930000011, Head 1M with rounded electrodes



3930000000, 3930000010



3930000001, 3930000011

 An ITW Company	Name: Head 3p Perfomaster					Drawn: AB	Part no.: 39300000xx
	CAD generated NOT updated	Dimensions in mm	Date: 28-12-2010	A3	M: 1:1	ECN2014-017	Check: -

PERFOMASTER PART NUMBERS

0930076100, HV control voltage 0-10 v

0930076101, HV control voltage 0-24 v

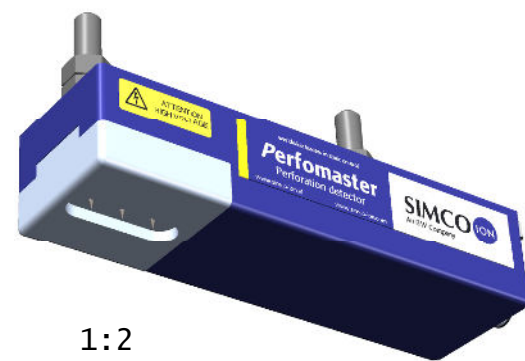
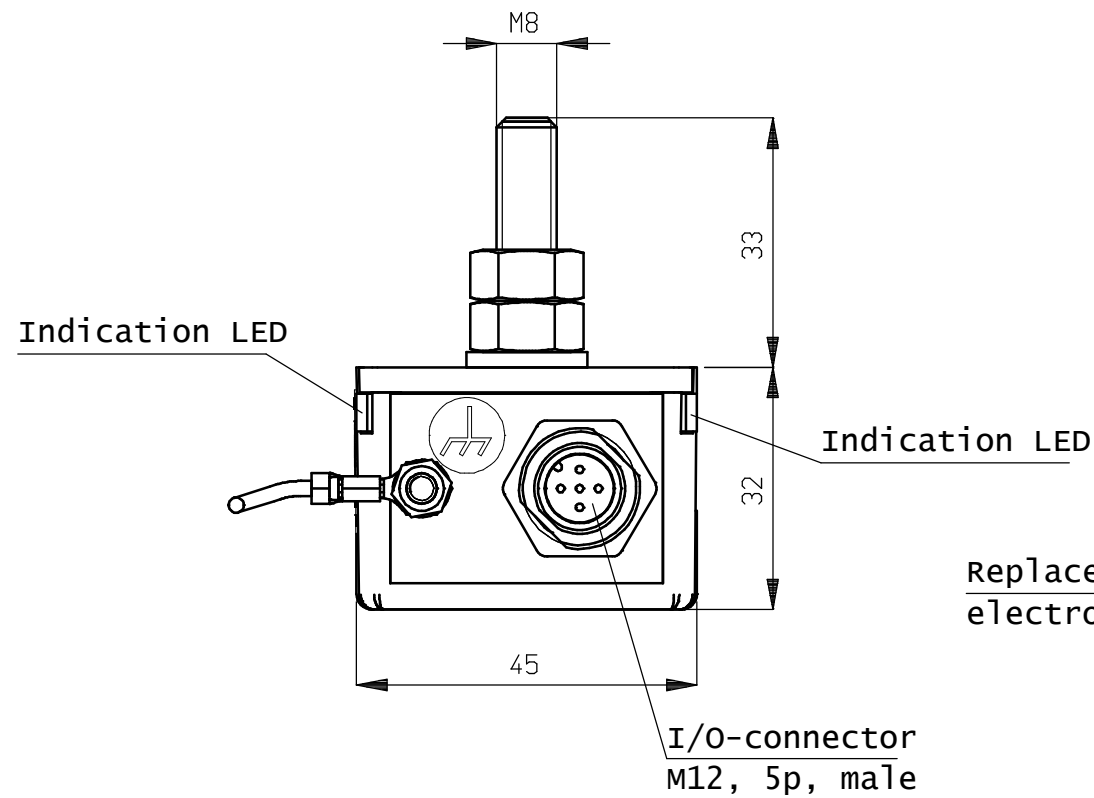
Included:

- 3 spare electrodes, part no. 3930000100 (3 pieces)

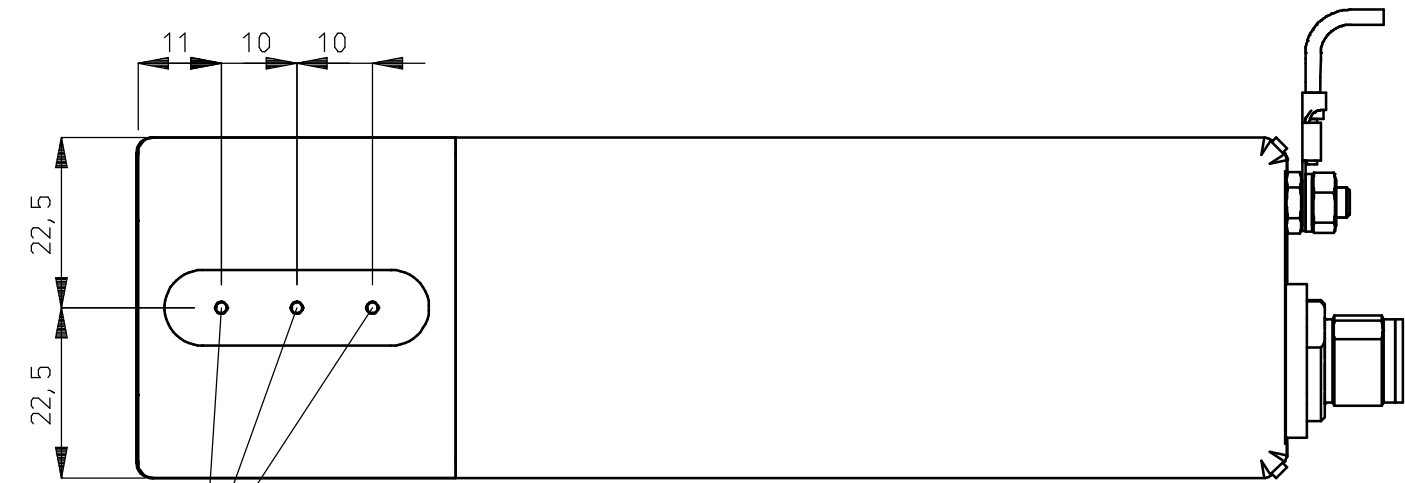
Optional connection cables with M12 connector:

- 5 m with angled connector, part no. 7519020375

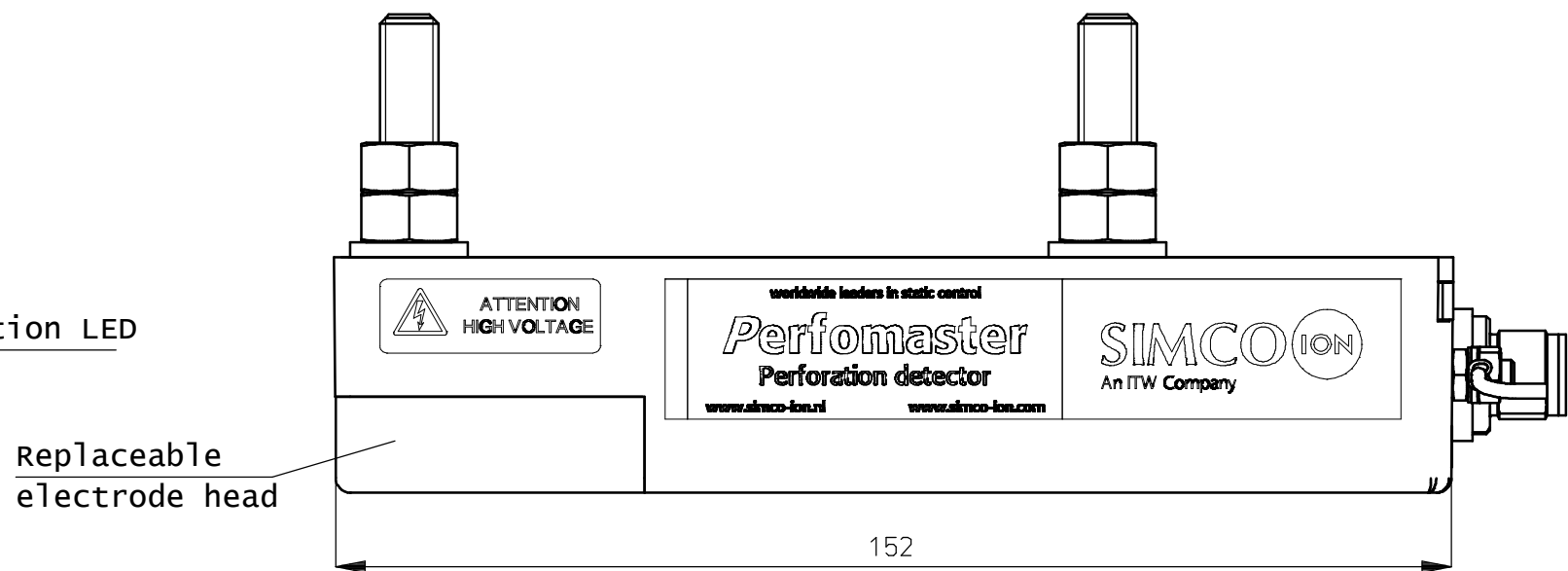
- 5 m with straight connector, part no. 7519020365



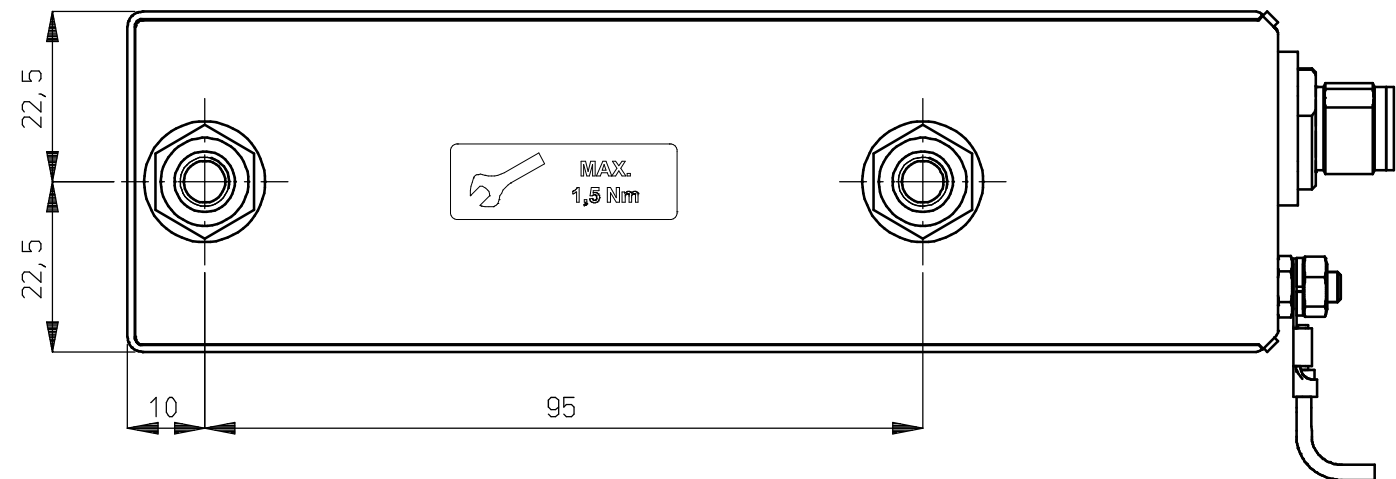
1:2



Replacable electrodes



Replaceable electrode head



 An ITW Company www.simco-ion.nl Tel: +31 (0)573 288333	Name: Perforation detector type Perfomaster					Drawn: AB	Part no.: 09300761xx
	CAD generated NOT updated	Dimensions in mm	Date: 16-12-2010	A3	M: 1:1	ECN2019-007	Check: -

Connector device M12 angled female
5 pole (screw connections)
7519020355 - \varnothing 4-6 mm cables
7519020356 - \varnothing 6-8 mm cables

Connector device M12 straight female
5 pole (screw connections)
7519020350 - \varnothing 4-6 mm cables
7519020351 - \varnothing 6-8 mm cables

Sharp electrodes, 3 pieces
P/N 3930000100 (see remark)

Round electrodes, 3 pieces
P/N 3930000101 (see remark)

Perfomaster

0930076000 - 0-10 V, without head
0930076001 - 0-24 V, without head
0930076100 - 0-10 V, incl. head 3930000000
0930076101 - 0-24 V, incl. head 3930000000

Electrode head

3930000001 - 4M7, round electrodes
3930000011 - 1M, round electrodes

Electrode head

3930000000 - 4M7, sharp electrodes
3930000010 - 1M, sharp electrodes

External Control Unit

3930000310 - PM-2010, Setpoint 0-10 V
3930000324 - PM-2024, Setpoint 0-24 V

* Set screw Nr. 8-32 x 1/8
Nylon, P/N 9210518306

* 2 mm hex screw driver
P/N 9950200002

Cord device M12 female straight 5 pole

7519020365 - 5 m, unshielded
7519020366 - 10 m, unshielded
7519020380 - 10 m, cable chain, shielded

Cord device M12 female angled 5 pole

7519020375 - 5 m, unshielded
7519020376 - 10 m, unshielded



External Control Kit
P/N 3930000200

Cord device M12 female-male straight 5 pole

7519020390 - 2 m, unshielded
7519020391 - 5 m, unshielded
7519020392 - 10 m, unshielded
7519020386 - 5 m, cable chain, unshielded
7519020387 - 10 m, cable chain, unshielded
7519020383 - 5 m, cable chain, shielded
7519020384 - 10 m, cable chain, shielded

REMARK

* - screw driver and 3 set screws included with Perfomaster, electrodes and electrode heads.

 An ITW Company www.simco-ion.nl Tel: +31 (0)573 288333	Name: Perfomaster overview (spare) parts				Drawn: AB	Part no.: —
	CAD generated NOT updated	Dimensions in mm	Date: 5-8-2011	A3 M: —	 ECN2014-017	Check: BWB