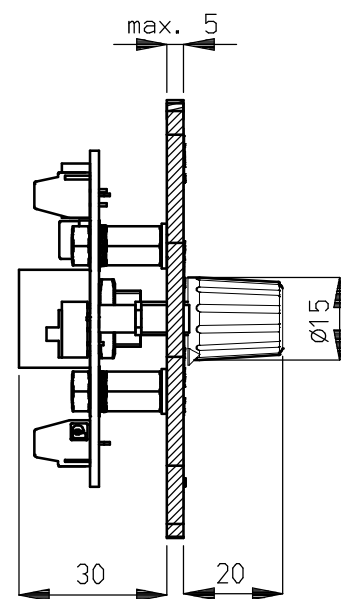
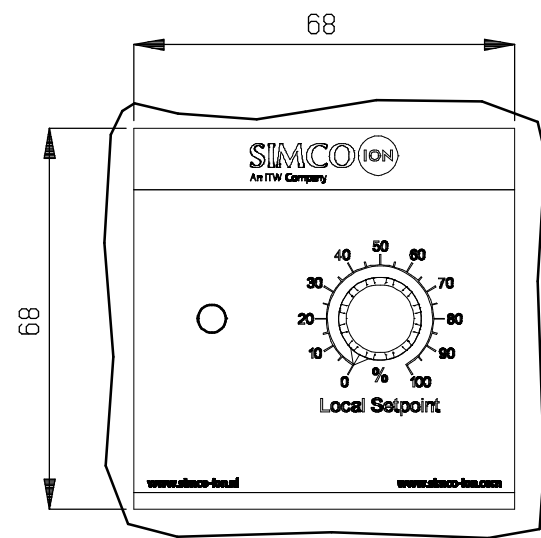


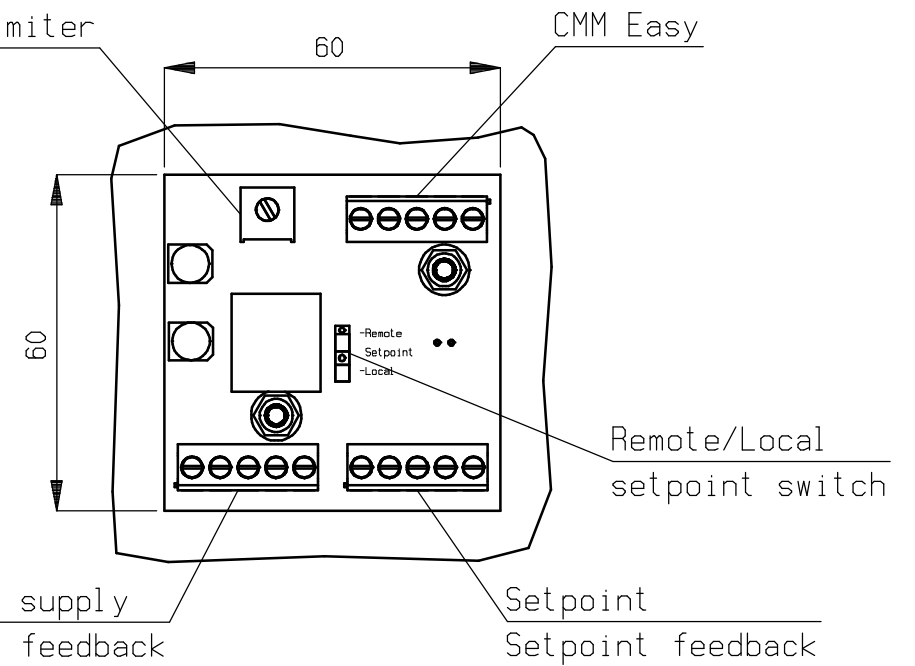
- Replaceable head with 0-8 cables
NOT INCLUDED, part numbers:
- 3985000000 - dummy without cables
 - 3985000001 - 1 cable
 - 3985000002 - 2 cables
 - 3985000003 - 3 cables
 - 3985000004 - 4 cables
 - 3985000005 - 5 cables
 - 3985000006 - 6 cables
 - 3985000007 - 7 cables
 - 3985000008 - 8 cables

cables to
charging tool
Cable length 2 m

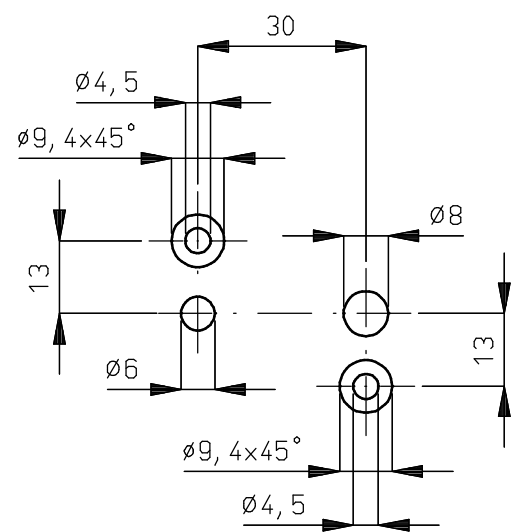
PART NO.	TYPE
0985074000	CMM Easy
0985074010	CMM IQ Easy



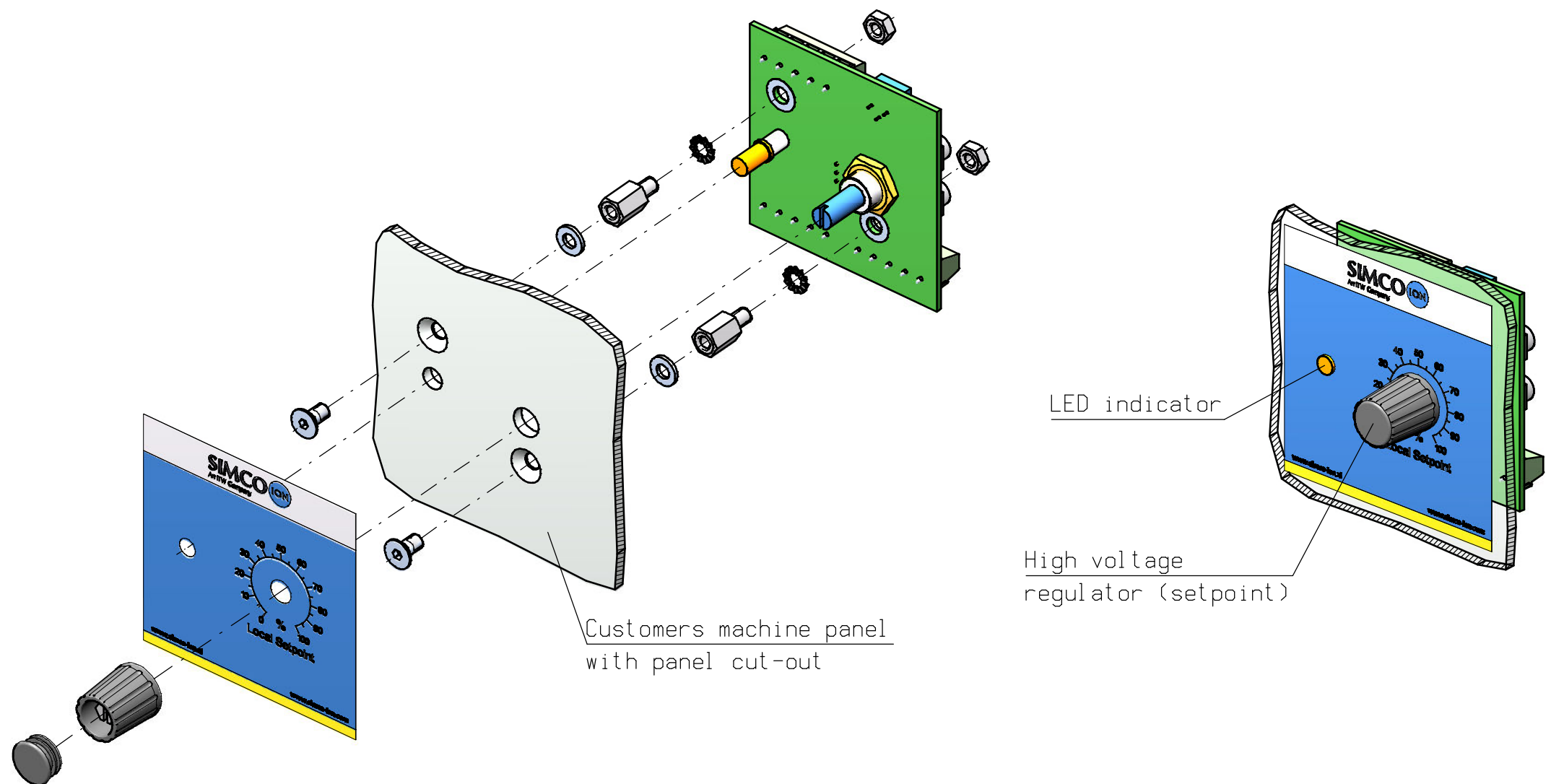
Setpoint limiter
10-18 kV



Panel cut-out



Outside view
Max. panel thickness 5 mm

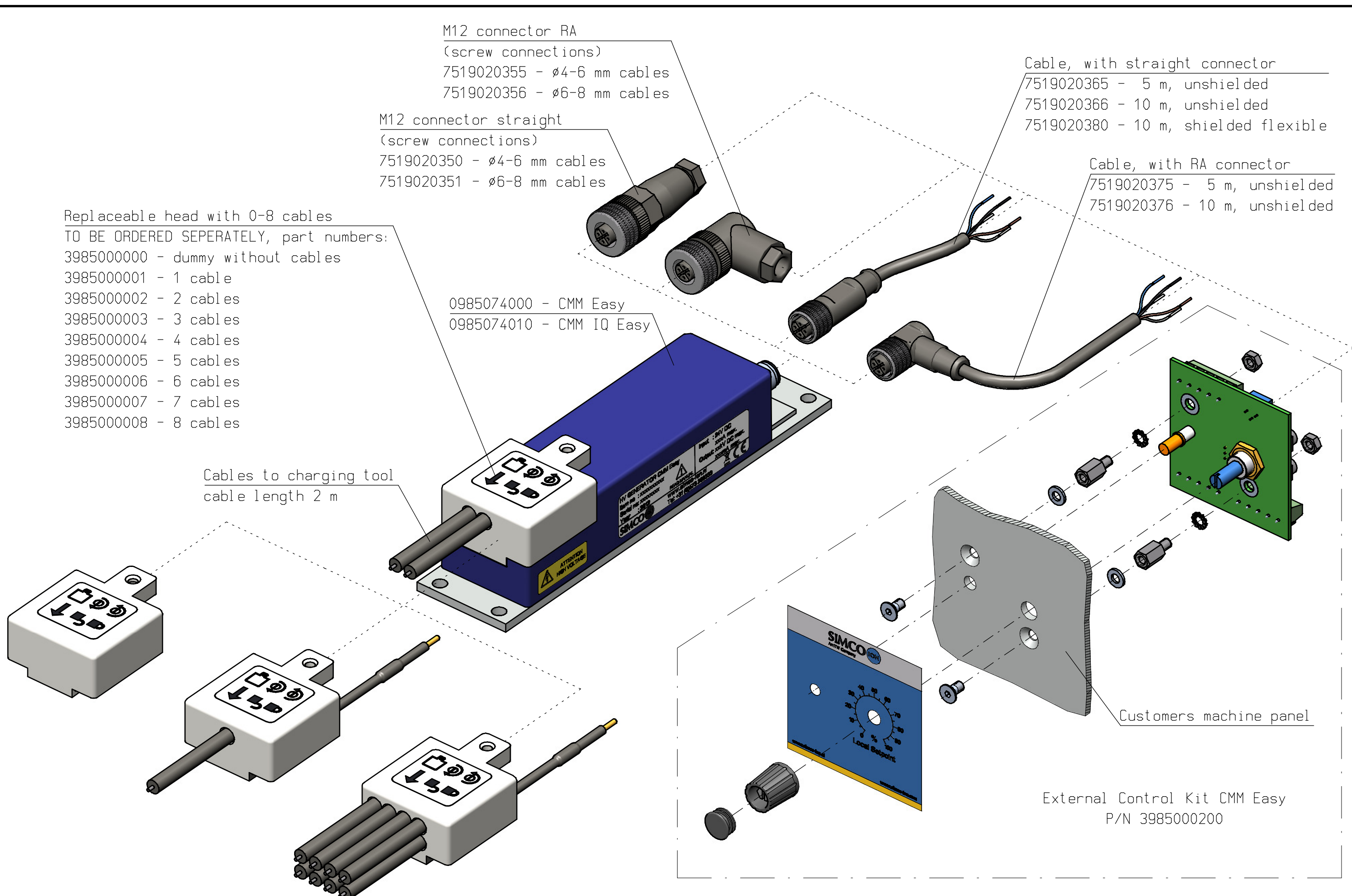


Customers machine panel
with panel cut-out

LED indicator

High voltage
regulator (setpoint)

		Name: External Control Kit CMM Easy				Drawn: AB	Part no.: —	
www.simco-ion.nl	Tel: +31 (0)573 288333	CAD generated NOT updated	Dimensions in mm	Date: 20-9-2012	A3 M: —	ECN-	Check: BWB	Dwg. no.: 09850200



 An ITW Company	Name: CMM Easy/CMM IQ Easy overview (spare) parts					Drawn: AB	Part no.: -
	CAD generated NOT updated	Dimensions in mm	Date: 5-9-2012	A3	M: -	ECN2013-040	Check: BWB